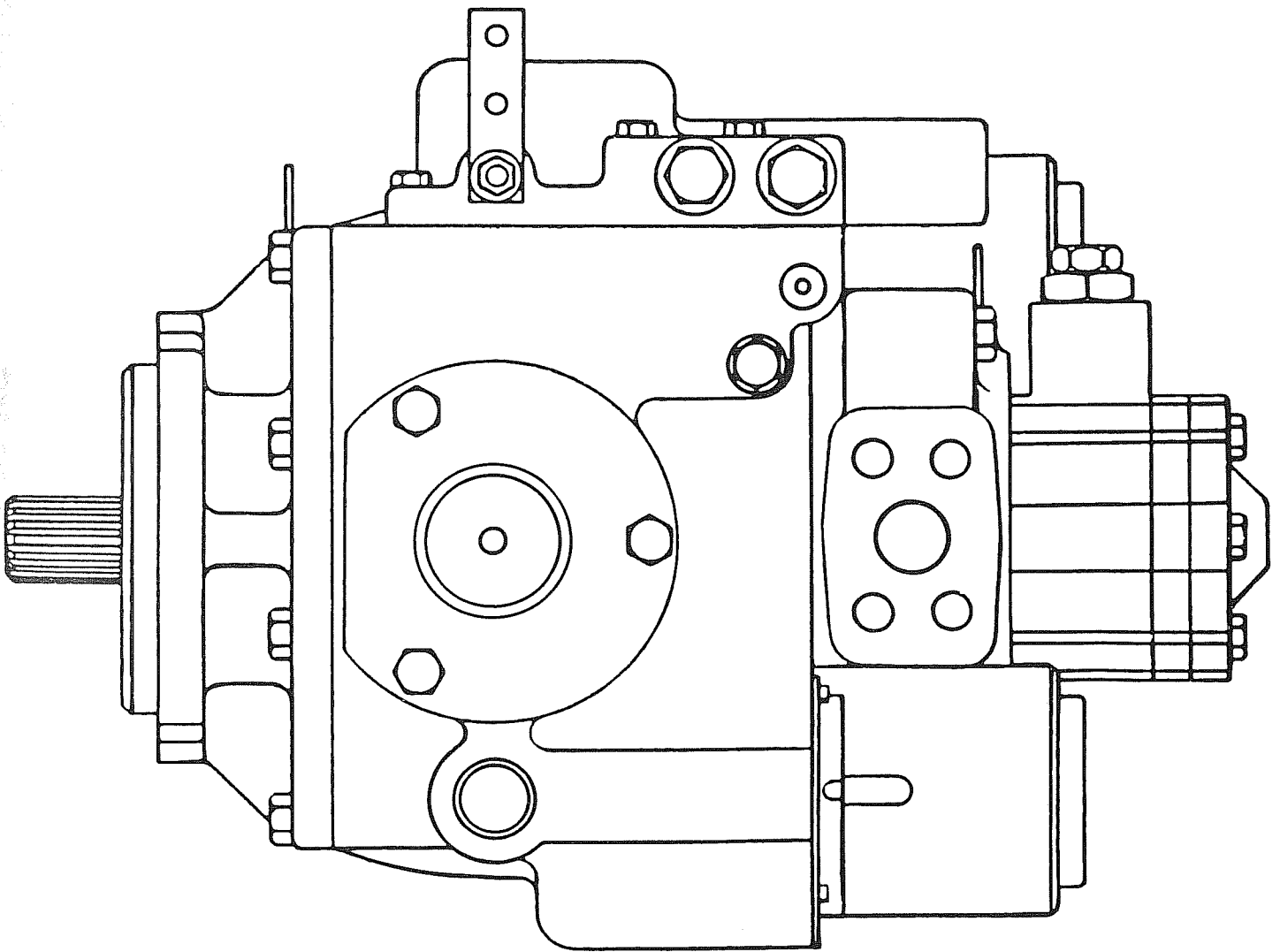


NO. 6-616

**Eaton
Hydraulics
Division**

Parts Information

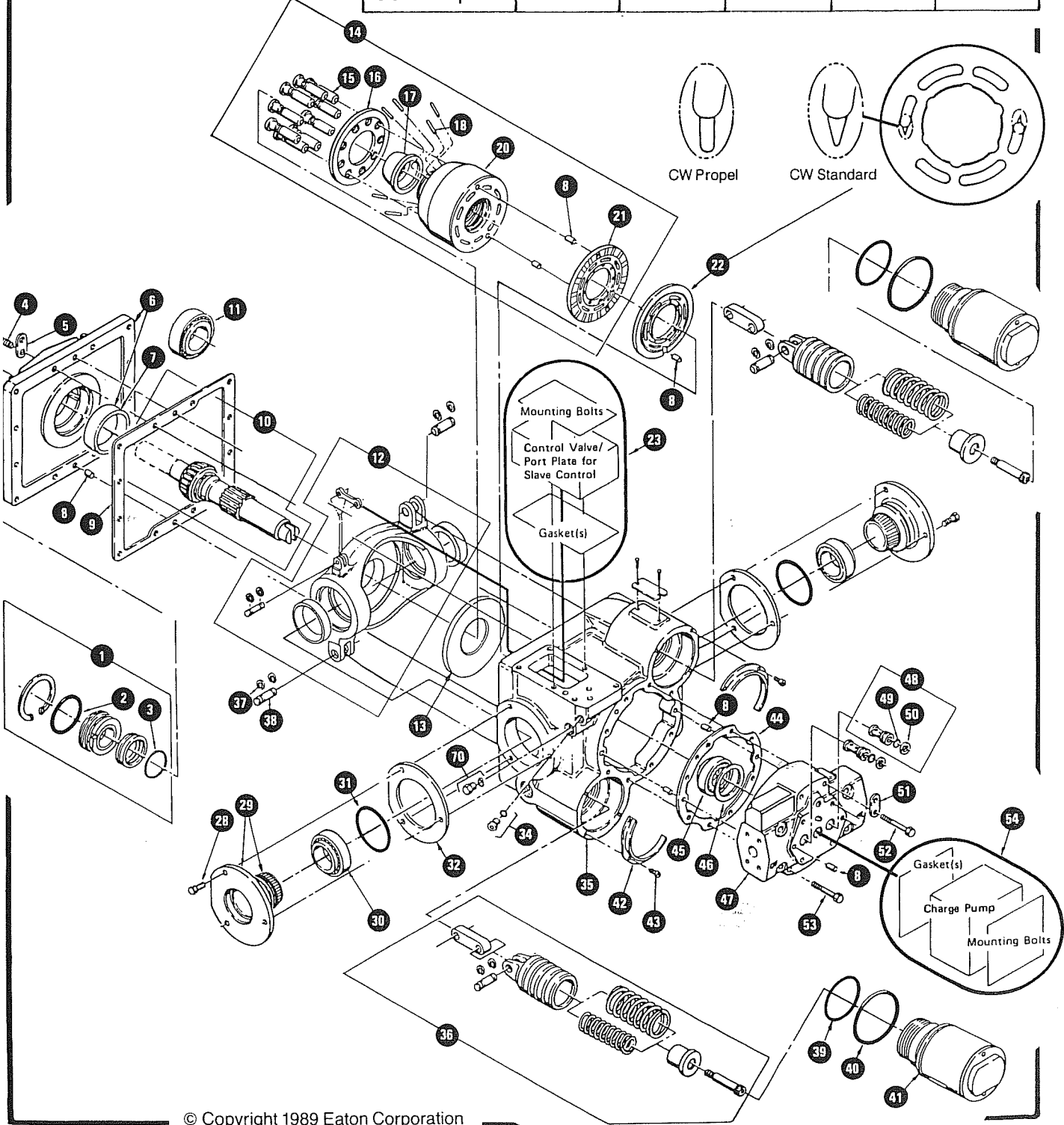
**Hydrostatic Variable Pumps -
Models 33 thru 76 Ball Guide Units**



EATON

PARTS DRAWING

Valve Plate Matrix		Ref. No. 22			
Description	Model 33	Model 39	Model 46	Model 54	Model 76
CW Standard	102791	102791	102626	102794	101780
CCW Standard	102792	102792	102627	102795	101785
CW Propel	102701	102701	102685	102703	105018
CCW Propel	102702	102702	102686	102704	103438



PARTS LIST

Ref. No.	Description	Qty.	Model 33	Model 39	Model 46	Model 54	Model 76
1	Kit, Shaft Seal	1	990231	990231	990231	990231	990195
2	O-Ring	1	8761-145	8761-145	8761-145	8761-145	8761-239
3	O-Ring	1	104166-131	104166-131	104166-131	104166-131	104166-138
4	Bolt, Hex Head	12	95863-100	95863-100	95864-125	95864-125	95863-125
5	Shipping Strap	1	96558	96558	96559	96559	96558
6	S/A, Mounting Flange	1	25434	25434	25404	23862	101813
7	Bearing Cup, Mtg. Flg.	1	96795	96795	96795	96795	95860
8	Dowel, 5/16 in. Dia.	9	98202	98202	98202	98202	98202
9	Gasket, Mounting Flange	1	8828	8828	8856	8826	101815
10	S/A, Drive Shaft	1	*	*	*	*	*
11	Bearing Kit, Mtg. Flg.	1	990020	990020	990020	990020	990056
12	S/A, Swashplate	1	102750	102751	102722	102891	104728
13	Plate, Thrust	1	102723-039	102723-039	102723-046	102723-054	102723-076
14	S/A, Rotating Group	1	101697	101697	101698	103046	101786
15	S/A, Piston/Slipper	9	101073	101073	101075	101077	101788
16	Plate, Slipper Retainer	1	102678	102678	102679	102680	102681
17	Slipper Retainer Guide	1	101096	101096	101092	101085	101787
18	Dowel, Cylinder Barrel	6	101082	101082	101083	101084	101798
20	S/A, Cylinder Barrel	1	990421	990421	990422	990423	990424
21	Plate, Bearing	1	101049	101049	101050	101051	101794
22	Plate, Valve	1	*	*	*	*	*
23	Control Option	1	**	**	**	**	**
28	Bolt, Hex Head	6	95863-088	95863-088	95864-088	95864-088	95864-100
29	S/A, Trunnion	2	23470	23470	23591	23591	101820
30	Bearing Kit, Trunnion	2	990023	990023	990024	990024	990059
31	O-Ring	2	8761-231	8761-231	8761-234	8761-234	8761-234
32	Shim Pack, Trunnion	2	990012	990012	990013	990013	990060
34	S/A, Plug/O-Ring	1	25083-004	25083-004	25083-004	25083-004	25083-004
35	Housing	1	101838	101838	101839	103805	101816
36	S/A, Servo Piston	2	102294	102294	102294	102638	102639
37	Retaining Ring	4	95820-056	95820-056	95820-056	95820-056	95820-075
38	Pin, Servo Linkage	2	95654	95654	95654	95654	101784
39	O-Ring	2	8761-143	8761-143	8761-143	8761-234	8761-234
40	O-Ring	2	8761-147	8761-147	8761-147	8761-237	8761-237
41	Servo Sleeve	2	990037	990037	990037	990038	990038
42	Retainer, Servo Sleeve	2	95675	95675	95675	95844	95844
43	Cap Screw	6	95890-038	95890-038	95890-038	95890-038	95890-038
44	Gasket, End Cover	1	8734	8734	8857	103042	101778
45	Bearing Kit, End Cover	1	990014	990014	990015	990016	990057
46	Shim Pack, End Cover	1	990017	990017	990018	990019	990058
47	End Cover	1	*	*	*	*	*
48	S/A, Check Valve	2	101187	101187	101187	101187	101187
49	O-Ring	2	8765-113	8765-113	8765-113	8765-113	8765-113
50	Back-up Ring	2	8770-113	8770-113	8770-113	8770-113	8770-113
51	Shipping Strap	1	96558	96558	96559	96559	101822
52	Bolt, Hex Head	6	103090-275	103090-275	103091-275	103091-300	-
	Bolt, Hex Head	4	-	-	-	-	103092-375
	Bolt, Hex head	2	-	-	-	-	103092-325
53	Bolt, Hex Head	2	103090-150	103090-150	103091-200	103091-200	103092-200
54	Charge Pump	1	**	**	**	**	**
70	S/A, Plug/O-Ring	1	25090-004	25090-004	25090-004	25090-004	25090-004

* See charts on oppsite page and back cover for specific part number.

** See separate parts list for specific part number.

EATON
HYDROSTATIC
VARIABLE DISPLACEMENT PUMP
BALL GUIDE UNITS
PARTS INFORMATION
NO. 6-616

EACH ORDER MUST INCLUDE
THE FOLLOWING INFORMATION

1. Product Number
2. Date Code
3. Part Name
4. Part Number
5. Quantity of Parts

HOW TO ORDER
REPLACEMENT PARTS

Drive Shaft Matrix Description	Ref. No. 10				
	Model 33	Model 39	Model 46	Model 54	Model 76
13T	—	—	—	—	101810
13T*	—	—	—	—	103378
14T	101052	101052	101056	101060	—
14T*	103381	103381	103398	103372	—
19T	101580	101580	—	—	—
21T	101146	101146	101158	101170	—
21T*	103375	103375	103369	104061	—
23T	—	—	101160	101172	—
23T*	104272	104272	—	103384	—
27T	—	—	—	—	102317
27T*	—	—	—	—	103387
1-3/8 Tapered	101116	101116	101118	101120	—
1-3/8 Tapered*	—	—	103751	104869	—
1-1/2 Tapered	—	—	—	104742	—
1-1/2 Str.Key	101529	101529	101533	101537	—
1-3/4 Tapered	—	—	—	—	102188
1-3/4 Str.Key	—	—	—	—	102302

- 101540 3/8 Square Key (for 1 1/2 Straight Keyed Shaft)
- 102305 7/16 Square Key (for 1 3/4 Straight Keyed Shaft)
- 101317 Woodruff Key (for 1 3/8 and 1 1/2 Tapered Shafts)
- 102189 Woodruff Key (for 1 3/4 Tapered Shaft)
- 96898 Slotted Nut (for 1 3/8 and 1 1/2 Tapered Shafts)
- 102320 Slotted Nut (for 1 3/4 Tapered Shaft)

* With Splined Drive End for B Pad Charge Pump

End Cover Matrix Description Main Ports	Ref. No. 47				
	Model 33	Model 39	Model 46	Model 54	Model 76
1 inch Code 61	50515	50515	50520	50517	101818
1 inch Code 61 w/Pressure Tap	101433	101433	101558	101415	102219
1 inch Code 61 IPOR S/A	103152	103152	103036	103100	103155
1 inch Code 62	101331	101331	102180	102182	102328
1 inch Code 62 w/Pressure Tap	101441	101441	101761	101958	102398
1 inch Code 62 IPOR S/A	104913	104913	104102	103466	104186
1 inch O-ring	101490	101490	101507	101492	—

Code 61 - SAE Code 61, Split Flange, 5000 PSI, Drilled and Tapped for 3/8-16 UNC 2B Thread Bolt

Code 62 - SAE Code 62, Split Flange, 6000 PSI, Drilled and Tapped for 7/16-14 UNC 2B Thread Bolt

Eaton Corporation **Hydraulics Division** 15151 Highway 5 Eden Prairie, MN 55344 Telephone (612) 937-9800

Eaton G.m.b.H. **Hydraulics Division** ☒ 100 410 · D-5620 Velbert 1 West Germany ☎ (0 20 51) 20 70

